



aerospace
climate control
electromechanical
filtration
fluid & gas handling
hydraulics
pneumatics
process control
sealing & shielding



ECO-TL Series Air Cleaners

Racor Filter Division Europe

FDRB573UK Version 2

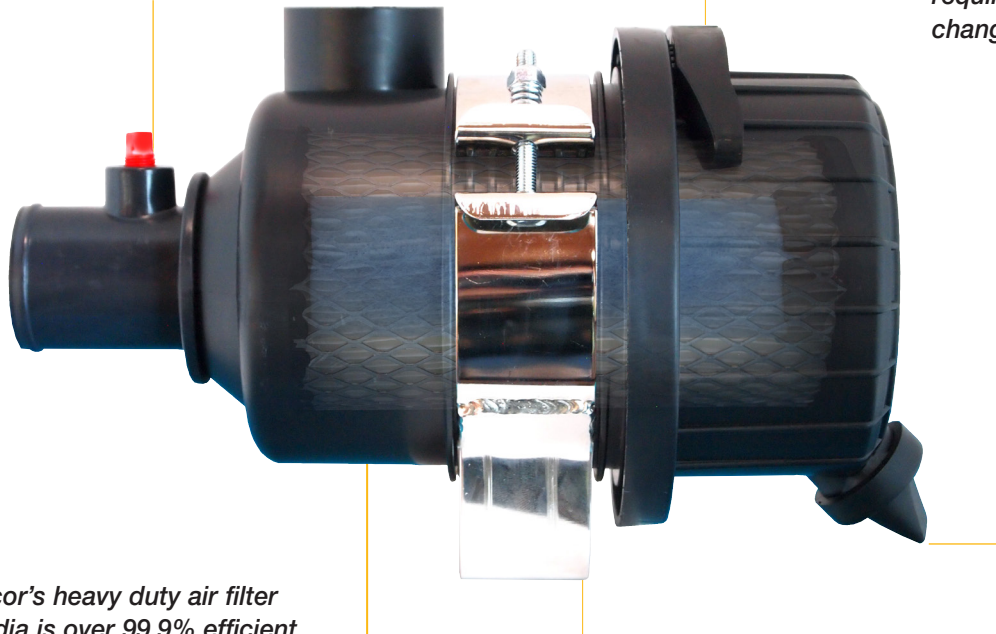


ENGINEERING YOUR SUCCESS.

Fast and Effortless to Service

Integrated filter restriction indicator port with optional restriction indicator. Changing your filter is no longer a guess.

Racor's innovative design for filter removal, features a low profile twist locking mechanism, which reduces the clearance required for filter change-outs.



Racor's heavy duty air filter media is over 99.9% efficient at removing contaminants from the air, and is designed to withstand the harsh environments encountered in demanding applications.

Polished stainless steel mounting bracket built to withstand corrosive environments.

Evacuation valve allows accumulated water and dust to drain.

Product Features

- Innovative design for easy filter service.
- Durable high efficiency, high capacity cellulose media.
- Working temperature -40°C to 100°C (-40°F to 212°F).
- 3 stage filtration.
- Straight or 90° outlet.
- Available with primary only or primary + safety element.
- Stainless steel corrosion resistant mounting bracket included.
- Twist lock design with no external clips or latches, takes up less space than competitive designs.
- Fits engines up to 175 hp (up to 325 cfm).
- Best for construction and off road equipment, such as: ATVs, compact tractors, skid steer loaders, compressors, turf care equipment, and pressure washers applications.
- Heavy-duty media designed for diesel and gas engines.
- Custom branding options available.
- 3 sizes available.
- Industry standard urethane radial seal replacement element design.
- UL Certified - Flame Retardant Assemblies Available



ECO TL primary, safety and UL certified elements are designed and manufactured to perform and protect your engine in arduous operating environments.

Note: UL certified air cleaners cannot be operated with a safety element

Customer Benefits

The ECO-TL Air Cleaner improves performance and reduces maintenance, as it extends service life.

Air flows through the tangential inlet which causes the air to spin inside the housing. Centrifugal force separates the heaviest contaminants (dust, water, dirt, insects and other debris) from the air stream. These contaminants are discharged automatically through an integral evacuator valve. Only precleaned air flows to the air filter element,

greatly extending element service life.

The twist lock locking lever can be positioned in five locations around the circumference to make operation easy for the application. Because of the locking lever, the filter can be located close to other objects since you don't need room to activate the latches found on competitor's units.



Space Saving Engine Air Cleaner

Racor's heavy duty air cleaners are designed and built to meet the demanding requirements for agricultural, construction, turf care, forestry, and mining equipment. The ECO-TL Series is designed for high dust environments with excessive vibration and extreme temperatures. The Racor ECO-TL Series is the cost effective choice for heavy duty applications.

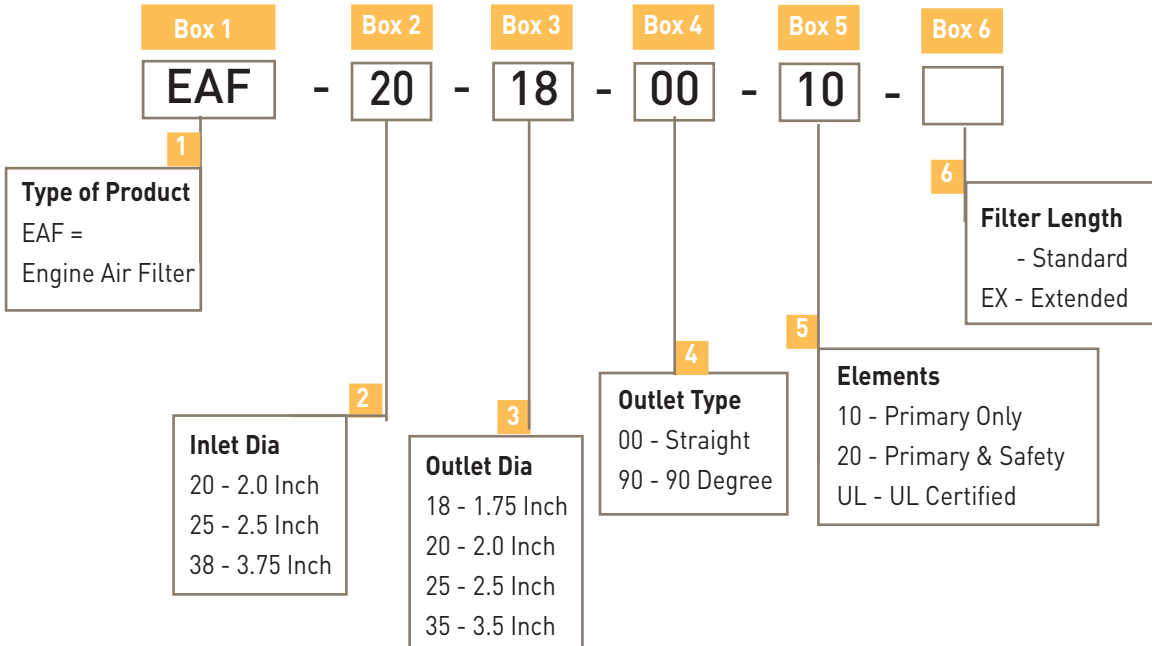
Clean air, that's what Racor air filtration is all about. Because when engines breathe easier they

perform better - with more power, more torque and with improved fuel economy. The Racor air filter elements offer a high-efficiency, engineered application-specific media that improves performance as it extends service life.

Whatever your application, there's a Racor air filtration system that will help you and your engine breathe easy.



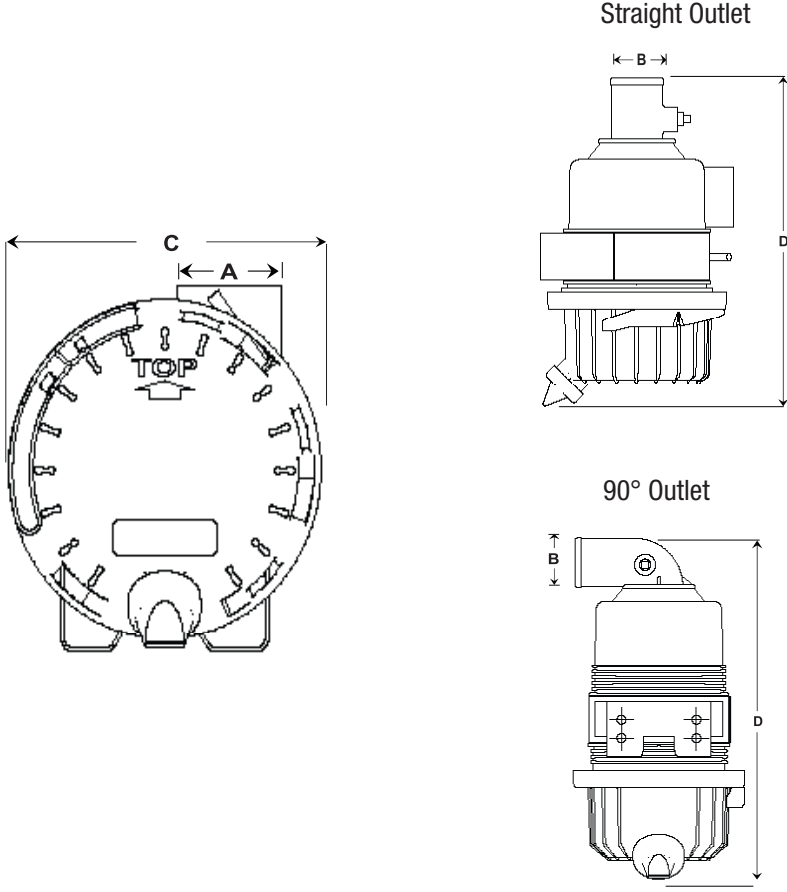
Assembly Configuration



The product configurations available are detailed on the page opposite.

The dimensions A, B, C & D are as per the drawings below.

Element part numbers can be seen on the page opposite for both primary and safety options.



Part Specifications:

		Flow Rate at Initial Restriction						A		B		C		D	
		6" H ₂ O		8" H ₂ O		10" H ₂ O		OD Inlet		OD Outlet		Diameter		Length	
Part Numbers	Description	CFM	m3/min	CFM	m3/min	CFM	m3/min	inch	mm	inch	mm	inch	mm	inch	mm
EAF20180010	2" x 1.75" Straight Outlet	75	2.1	90	2.5	105	3.0	2.0	51	1.75	45	6.0	152.4	10.3	261.6
EAF20180020	2" x 1.75" Straight Outlet (with safety element)	65	1.8	75	2.1	85	2.4	2.0	51	1.75	45	6.0	152.4	10.3	261.6
EAF201800UL	2" x 1.75" Straight Outlet (UL approved)	75	2.1	90	2.5	105	3.0	2.0	51	1.75	45	6.0	152.4	10.3	261.6
EAF20189010	2" x 1.75" 90° Outlet	66	1.9	81	2.3	93	2.6	2.0	51	1.75	45	6.0	152.4	9.9	251.5
EAF20189020	2" x 1.75" 90° Outlet (with safety element)	57	1.6	69	2.0	78	2.2	2.0	51	1.75	45	6.0	152.4	9.9	251.5
EAF201890UL	2" x 1.75" 90° Outlet (UL approved)	66	1.9	81	2.3	93	2.6	2.0	51	1.75	45	6.0	152.4	9.9	251.5
Replacement Elements	Primary: EAPE68300	Safety: EASE68340				UL: EAPE68300FR (Important: UL certified air cleaners cannot be operated with a safety element)									
EAF20200010	2" x 2" Straight Outlet	100	2.8	115	3.3	130	3.7	2.0	51	2.0	51	7.1	180.3	14.6	370.8
EAF20200020	2" x 2" Straight Outlet (with safety element)	90	2.5	105	3.0	115	3.3	2.0	51	2.0	51	7.1	180.3	14.6	370.8
EAF202000UL	2" x 2" Straight Outlet (UL approved)	100	2.8	115	3.3	130	3.7	2.0	51	2.0	51	7.1	180.3	14.6	370.8
EAF20209010	2" x 2" 90° Outlet	80	2.3	92	2.6	103	2.9	2.0	51	2.0	51	7.1	180.3	13.5	342.9
EAF20209020	2" x 2" 90° Outlet (with safety element)	78	2.2	85	2.4	92	2.6	2.0	51	2.0	51	7.1	180.3	13.5	342.9
EAF202090UL	2" x 2" 90° Outlet (UL approved)	80	2.3	92	2.6	103	2.9	2.0	51	2.0	51	7.1	180.3	13.5	342.9
Replacement Elements	Primary: EAPE68460	Safety: EASE68465				UL: EAPE68460FR (Important: UL certified air cleaners cannot be operated with a safety element)									
EAF20200010EX	2" x 2" Straight Outlet (Extended)	105	3.0	120	3.4	132	3.7	2.0	51	2.0	51	7.1	180.3	15.5	393.2
EAF20200020EX	2" x 2" Straight Outlet (Extended w/ safety element)	95	2.7	108	3.1	118	3.3	2.0	51	2.0	51	7.1	180.3	15.5	393.2
EAF202000ULEX	2" x 2" Straight Outlet (Extended, UL approved)	105	3.0	120	3.4	132	3.7	2.0	51	2.0	51	7.1	180.3	15.5	393.2
EAF20209010EX	2" x 2" 90° Outlet (Extended)	85	2.4	97	2.7	107	3.0	2.0	51	2.0	51	7.1	180.3	14.4	365.8
EAF20209020EX	2" x 2" 90° Outlet (Extended w/ safety element)	80	2.3	89	2.5	97	2.7	2.0	51	2.0	51	7.1	180.3	14.4	365.8
EAF202090ULEX	2" x 2" 90° Outlet (Extended, UL approved)	85	2.4	97	2.7	107	3.0	2.0	51	2.0	51	7.1	180.3	14.4	365.8
Replacement Elements:	Primary: EAPE68310	Safety: EASE68350				UL: EAPE68310FR (Important: UL certified air cleaners cannot be operated with a safety element)									
EAF25250010	2.5" x 2.5" Straight Outlet	161	4.6	185	5.2	208	5.9	2.5	63.5	2.5	63.5	8.7	221	16.1	408.9
EAF25250020	2.5" x 2.5" Straight Outlet (with safety element)	145	4.1	165	4.7	185	5.2	2.5	63.5	2.5	63.5	8.7	221	16.1	408.9
EAF252500UL	2.5" x 2.5" Straight Outlet (UL approved)	161	4.6	185	5.2	208	5.9	2.5	63.5	2.5	63.5	8.7	221	16.1	408.9
EAF25259010	2.5" x 2.5" 90° Outlet	138	3.9	157	4.5	176	5.0	2.5	63.5	2.5	63.5	8.7	221	15.7	398.8
EAF25259020	2.5" x 2.5" 90° Outlet (with safety element)	127	3.6	150	4.3	168	4.8	2.5	63.5	2.5	63.5	8.7	221	15.7	398.8
EAF252590UL	2.5" x 2.5" 90° Outlet (UL approved)	138	3.9	157	4.5	176	5.0	2.5	63.5	2.5	63.5	8.7	221	15.7	398.8
Replacement Elements	Primary: EAPE68315	Safety: EASE68355				UL: EAPE68315FR (Important: UL certified air cleaners cannot be operated with a safety element)									
EAF38350010	3.75" x 3.5" Straight Outlet	250	7.1	290	8.2	325	9.2	3.75	95.25	3.5	88.9	10.3	261.6	17.6	447.3
EAF38350020	3.75" x 3.5" Straight Outlet (with safety element)	215	6.1	252	7.1	279	7.9	3.75	95.25	3.5	88.9	10.3	261.6	17.6	447.3
EAF383500UL	3.75" x 3.5" Straight Outlet (UL approved)	250	7.1	290	8.2	325	9.2	3.75	95.25	3.5	88.9	10.3	261.6	17.6	447.3
EAF38359010	3.75" x 3.5" 90° Outlet	220	6.2	255	7.2	285	8.1	3.75	95.25	3.5	88.9	10.3	261.6	18.3	464.8
EAF38359020	3.75" x 3.5" 90° Outlet (with safety element)	195	5.5	227	6.4	253	7.1	3.75	95.25	3.5	88.9	10.3	261.6	18.3	464.8
EAF383590UL	3.75" x 3.5" 90° Outlet (UL approved)	220	6.2	255	7.2	285	8.1	3.75	95.25	3.5	88.9	10.3	261.6	18.3	464.8
Replacement Elements	Primary: EAPE68330	Safety: EASE38370				UL: EAPE68330FR (Important: UL certified air cleaners cannot be operated with a safety element)									

IMPORTANT: UL certified air cleaners cannot be operated with a safety element.

Flame Retardant UL Approved Series



Racor's ECO-TL filters are approved to meet the rigorous standards of UL.

We now offer tested and certified filters and elements that meet the requirements of the best known testing service in the world.

If your engine requirements need verification of safe air filters (ie: working indoors), we can supply filters and elements that will meet your needs.

We proudly bear the mark of UL recognized. The flame retardant filters have passed not only the requirements of UL, but also incorporate the features of our superior "twist lock" series.

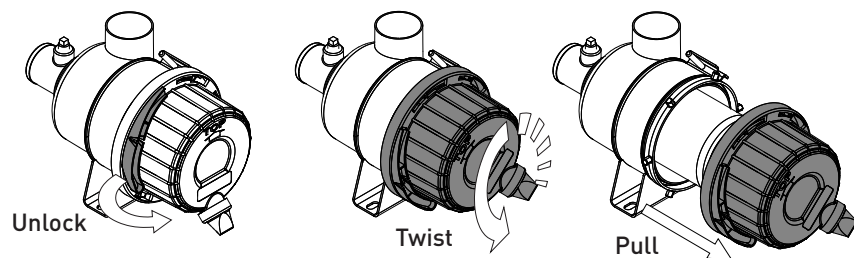
Service Information

Racor's ECO-TL filters are easy to service using the twist lock function.

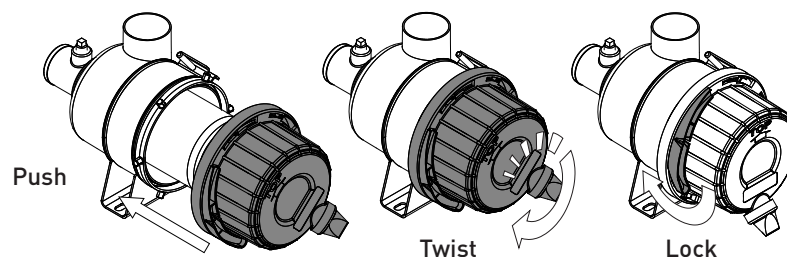
The twist lock body has 6 stout holding pins to retain the cap. The cap uses 6 built in hooks to engage the pins.

Simply push the cap on and give a slight twist to the right. The locking lever snaps the cap in place and keeps it there. To open, lift the lever, twist left and pull the cap off.

1. Element Removal



2. New Element Insertion



Racor Product Range



aerospace
 climate control
 electromechanical
 hydraulic
 fluid & gas handling
 hydraulics
 pneumatics
 process control
 sealing & shielding

Racor Filter Division Europe
 Super Impactor
 Crankcase Ventilation Separator



ENGINEERING YOUR SUCCESS.



aerospace
 climate control
 electromechanical
 filtration
 fluid & gas handling
 hydraulics
 pneumatics
 process control
 sealing & shielding

Racor Filter Division Europe
 Marine Filtration Systems and Solutions



ENGINEERING YOUR SUCCESS.



aerospace
 climate control
 electromechanical
 hydraulic
 fluid & gas handling
 hydraulics
 pneumatics
 process control
 sealing & shielding

Racor Filter Division Europe
 Commercial Diesel Engine Filtration



ENGINEERING YOUR SUCCESS.

Racor Superimpactor FDRB538UK

With over 20 years' experience in crankcase filtration Parker Racor has been developing new innovative high efficiency technology for crankcase emission control.

Parker introduce the new benchmark for ultra high performance, fit for life, closed crankcase ventilation solutions. The SuperImpactor CCV eliminates environmental pollution from crankcase emissions, allowing open and closed crankcase circuit solutions at >98% efficiency, with no service element.

Smaller, lighter, more economical and with higher efficiencies than its closest rivals, the systems also include the ultimate crankcase pressure regulator offering the tightest crankcase pressure control.

Racor Marine Solutions FDRB538UK

Ask a sailor about engine protection, about filtration or about reliability and performance. Whether they are a captain of a superyacht, sailboat, fishing boat or tug, the chances are the one-word answer will be the same as it has been for over four decades...Racor

Delivering the quality and reliability mariners most respect is a customer driven effort at Racor. We view every marine vessel, and the sailors who depend upon them for livelihood or leisure, as a personal responsibility.

Products that are the result of computer-aided design and stringent manufacturing processes, solidly built to withstand the rigors of the marine environment.

Racor Commercial Fuel FDRB360UK

Everytime you add fuel, you add millions of tiny contaminants...small enough to be invisible, but big enough to destroy injectors, pumps and profitability. Racor's industrial and automotive product range of customer proven spin-on fuel filter water separators, turbine fuel filters and crankcase ventilators are the solution.

Whether you operate a truck, bus, generator or pump set, you need to know that every time you switch on the ignition you will hear the engine fire into life, each time and every time. There is no better way to ensure engine reliability than with good quality filtration. Whatever and wherever your application, we have a system which will meet your requirements.

Parker Worldwide

Europe, Middle East, Africa

AE – United Arab Emirates, Dubai
Tel: +971 4 8127100
parker.me@parker.com

AT – Austria, Wiener Neustadt
Tel: +43 (0)2622 23501-0
parker.austria@parker.com

AT – Eastern Europe, Wiener Neustadt
Tel: +43 (0)2622 23501 900
parker.easteurope@parker.com

AZ – Azerbaijan, Baku
Tel: +994 50 2233 458
parker.azerbaijan@parker.com

BE/LU – Belgium, Nivelles
Tel: +32 (0)67 280 900
parker.belgium@parker.com

BG – Bulgaria, Sofia
Tel: +359 2 980 1344
parker.bulgaria@parker.com

BY – Belarus, Minsk
Tel: +48 (0)22 573 24 00
parker.poland@parker.com

CH – Switzerland, Etoy
Tel: +41 (0)21 821 87 00
parker.switzerland@parker.com

CZ – Czech Republic, Klecany
Tel: +420 284 083 111
parker.czechrepublic@parker.com

DE – Germany, Kaarst
Tel: +49 (0)2131 4016 0
parker.germany@parker.com

DK – Denmark, Ballerup
Tel: +45 43 56 04 00
parker.denmark@parker.com

ES – Spain, Madrid
Tel: +34 902 330 001
parker.spain@parker.com

FI – Finland, Vantaa
Tel: +358 (0)20 753 2500
parker.finland@parker.com

FR – France, Contamine s/Arve
Tel: +33 (0)4 50 25 80 25
parker.france@parker.com

GR – Greece, Athens
Tel: +30 210 933 6450
parker.greece@parker.com

HU – Hungary, Budaörs
Tel: +36 23 885 470
parker.hungary@parker.com

IE – Ireland, Dublin
Tel: +353 (0)1 466 6370
parker.ireland@parker.com

IL – Israel
Tel: +39 02 45 19 21
parker.israel@parker.com

IT – Italy, Corsico (MI)
Tel: +39 02 45 19 21
parker.italy@parker.com

KZ – Kazakhstan, Almaty
Tel: +7 7273 561 000
parker.easteurope@parker.com

NL – The Netherlands, Oldenzaal
Tel: +31 (0)541 585 000
parker.nl@parker.com

NO – Norway, Asker
Tel: +47 66 75 34 00
parker.norway@parker.com

PL – Poland, Warsaw
Tel: +48 (0)22 573 24 00
parker.poland@parker.com

PT – Portugal
Tel: +351 22 999 7360
parker.portugal@parker.com

RO – Romania, Bucharest
Tel: +40 21 252 1382
parker.romania@parker.com

RU – Russia, Moscow
Tel: +7 495 645-2156
parker.russia@parker.com

SE – Sweden, Spånga
Tel: +46 (0)8 59 79 50 00
parker.sweden@parker.com

SK – Slovakia, Banská Bystrica
Tel: +421 484 162 252
parker.slovakia@parker.com

SL – Slovenia, Novo Mesto
Tel: +386 7 337 6650
parker.slovenia@parker.com

TR – Turkey, Istanbul
Tel: +90 216 4997081
parker.turkey@parker.com

UA – Ukraine, Kiev
Tel: +48 (0)22 573 24 00
parker.poland@parker.com

UK – United Kingdom, Warwick
Tel: +44 (0)1926 317 878
parker.uk@parker.com

ZA – South Africa, Kempton Park
Tel: +27 (0)11 961 0700
parker.southafrica@parker.com

North America

CA – Canada, Milton, Ontario
Tel: +1 905 693 3000

US – USA, Cleveland
Tel: +1 216 896 3000

Asia Pacific

AU – Australia, Castle Hill
Tel: +61 (0)2-9634 7777

CN – China, Shanghai
Tel: +86 21 2899 5000

HK – Hong Kong
Tel: +852 2428 8008

IN – India, Mumbai
Tel: +91 22 6513 7081-85

JP – Japan, Tokyo
Tel: +81 (0)3 6408 3901

KR – South Korea, Seoul
Tel: +82 2 559 0400

MY – Malaysia, Shah Alam
Tel: +60 3 7849 0800

NZ – New Zealand, Mt Wellington
Tel: +64 9 574 1744

SG – Singapore
Tel: +65 6887 6300

TH – Thailand, Bangkok
Tel: +662 186 7000

TW – Taiwan, Taipei
Tel: +886 2 2298 8987

South America

AR – Argentina, Buenos Aires
Tel: +54 3327 44 4129

BR – Brazil, Sao Jose dos Campos
Tel: +55 800 727 5374

CL – Chile, Santiago
Tel: +56 2 623 1216

MX – Mexico, Toluca
Tel: +52 72 2275 4200

European Product Information Centre
Free phone: 00 800 27 27 5374
(from AT, BE, CH, CZ, DE, DK, EE, ES, FI,
FR, IE, IL, IS, IT, LU, MT, NL, NO, PL, PT, RU,
SE, SK, UK, ZA)

Ed. 2010-09-29

Parker Hannifin Manufacturing (UK) Ltd.

Racor Filter Division Europe

Tel: +44(0)1924 487000

Email: filtrationinfo@parker.com

www.parker.com/racor

